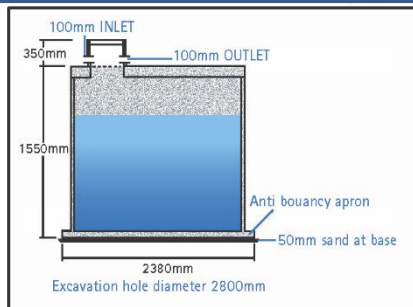




Portable Tanks

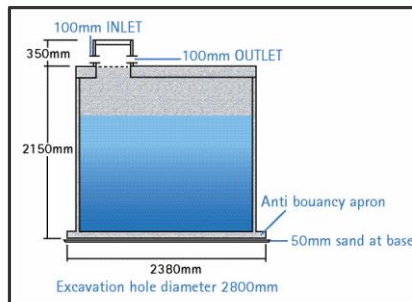
The Rainbank is a dual source controller, specifically designed to source rainwater for water applications such as toilets and laundry, with automatic mains backup. It is to be installed between the water tank and mains water supply. When the tank has rainwater in it the Rainbank will automatically select the tank water and when there is no water in the tank the Rainbank will seamlessly switch to mains supply.



4000 Litres

Diameter 2380mm

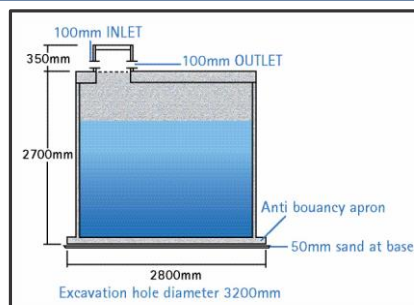
Height 1900mm



6000 Litres

Diameter 2380mm

Height 2500mm



10500 Litres

Diameter 2800mm

Height 3050mm

DELIVERY STATEWIDE

The tank will be lifted into excavated site.
Appropriate access must be provided for the crane truck to lower tank to site.
Any additional crane hire not included.